

INSTALLATION GUIDE PAL KD



CHOICE
SOLUTIONS



WHAT YOU NEED

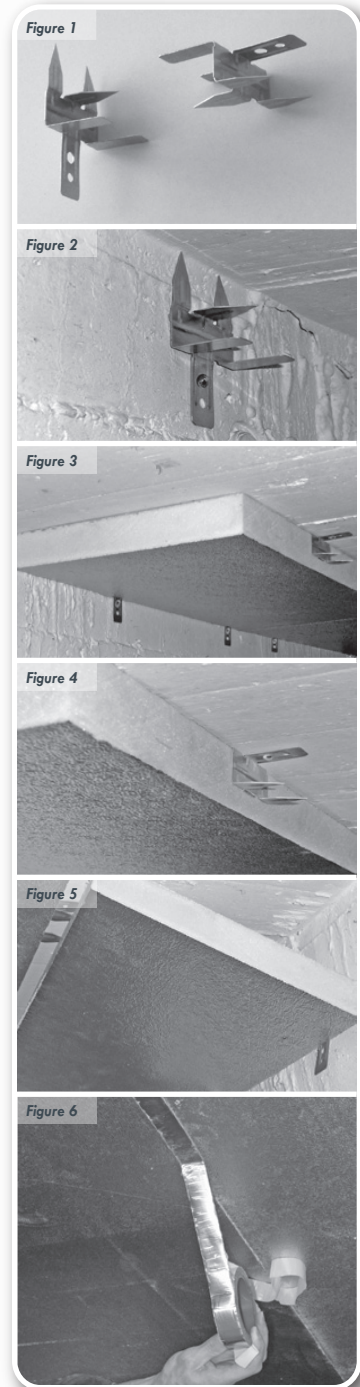
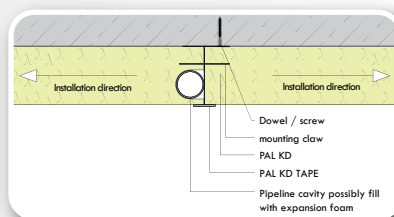
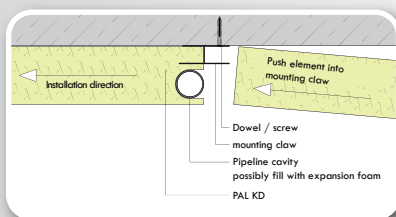
Materials needed: PAL KD panels, fixing clamps, PAL KD tape.
Compatible power fastener accessories.

INSTALLATION INSTRUCTIONS FOR PAL KD

- ▶ Fixing clamps to be positioned according to **Figure 1** and attached to the first longitudinal wall; **See Figure 2**. Distance from the butt joint 15 cm from the ends of the panel.
- ▶ Install the first longitudinal row of panels: push the ceiling clamps into the panels before laying the first row, then press the panel onto the wall clamp, fasten off ceiling clamps, **See Figure 3**. To fix the first row closest to the longitudinal joint press the fixing clamps into the panels on the ceiling and wall plugs, **See Figure 4**. Distance from the butt joint 15 cm.
- ▶ Lay the other rows, continuing to press the panels into the fixing clamps of the previous longitudinal joint and mount another fixing clamp in the next row, first putting the clips in the loose panel, then pushing it into place and fasten off ceiling clamp
- ▶ The last row of panels; press the wall fixing clamp as per **Figure 1** into the panels, then lay the panel as per **Figure 5**, so that the bottom of the wall fixing clamp is visible. Finish off by fastening into the wall.
- ▶ Fill any cavities with expansion foam, cut protruding foam.
- ▶ Cover the panel joints with the PAL KD adhesive tape **Figure 6**.

INSTALLING PAL KD AROUND PIPES

The panels are to be laid from the pipe to walls. The fixing clamps are to be installed in advance along the line of the pipe. The panels are fitted to the pipe and possibly later filled with expansion foam (see diagram).



PLEASE NOTE

Any special guidelines regarding the insulating of such supply lines are to be observed.





CHOICE
SOLUTIONS



WHAT YOU NEED

Materials needed: PAL KD White/PAL KD Top panels, fixing clamps, H-joint profile, L-wall connection profile, suitable fasteners.

INSTALLATION INSTRUCTIONS FOR PAL KD White & PAL KD Top

Accurately measure the area. Install the panels in such a way that it forms staggered transverse joints. This is for the least amount of wastage and to create an aesthetically pleasing result.

- ▶ Place the wall connection profile (L-wall connection profile or planed bar) at panel thickness down from ceiling, see detail **Figure 1**.
- ▶ Fit the first panel tight against the wall.
- ▶ Push fixing clamp into the long joint or edge and fix in the ceiling (PAL KD White: 2 fixing clamps for each panel, PAL KD Top: 3 fixing clamps per metre.) **Figure 2**. Distance from butt joint is 15cm's.
- ▶ Insert the pre-cut H-joint profile into the previous panel, and push the next panel into the H-joint.
- ▶ Place the H-joint profile in the long joint, lay the following row in brickwork formation. Install the last row of panels as described in step 1 onto the wall.
- ▶ The final row of panels; attach them to be able to mount the L-wall connection profile. Fasten the L-wall connection profile to the walls, which connect to the cross joints. Fill cavities with expansion foam.

Figure 1

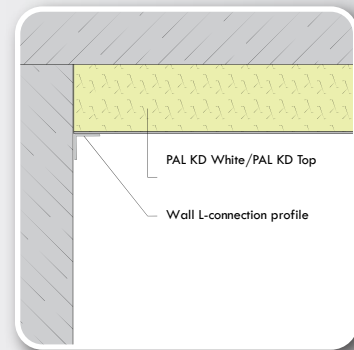


Figure 2

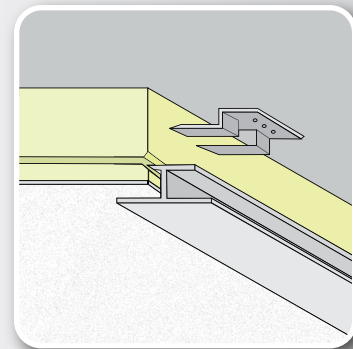


Figure 3

